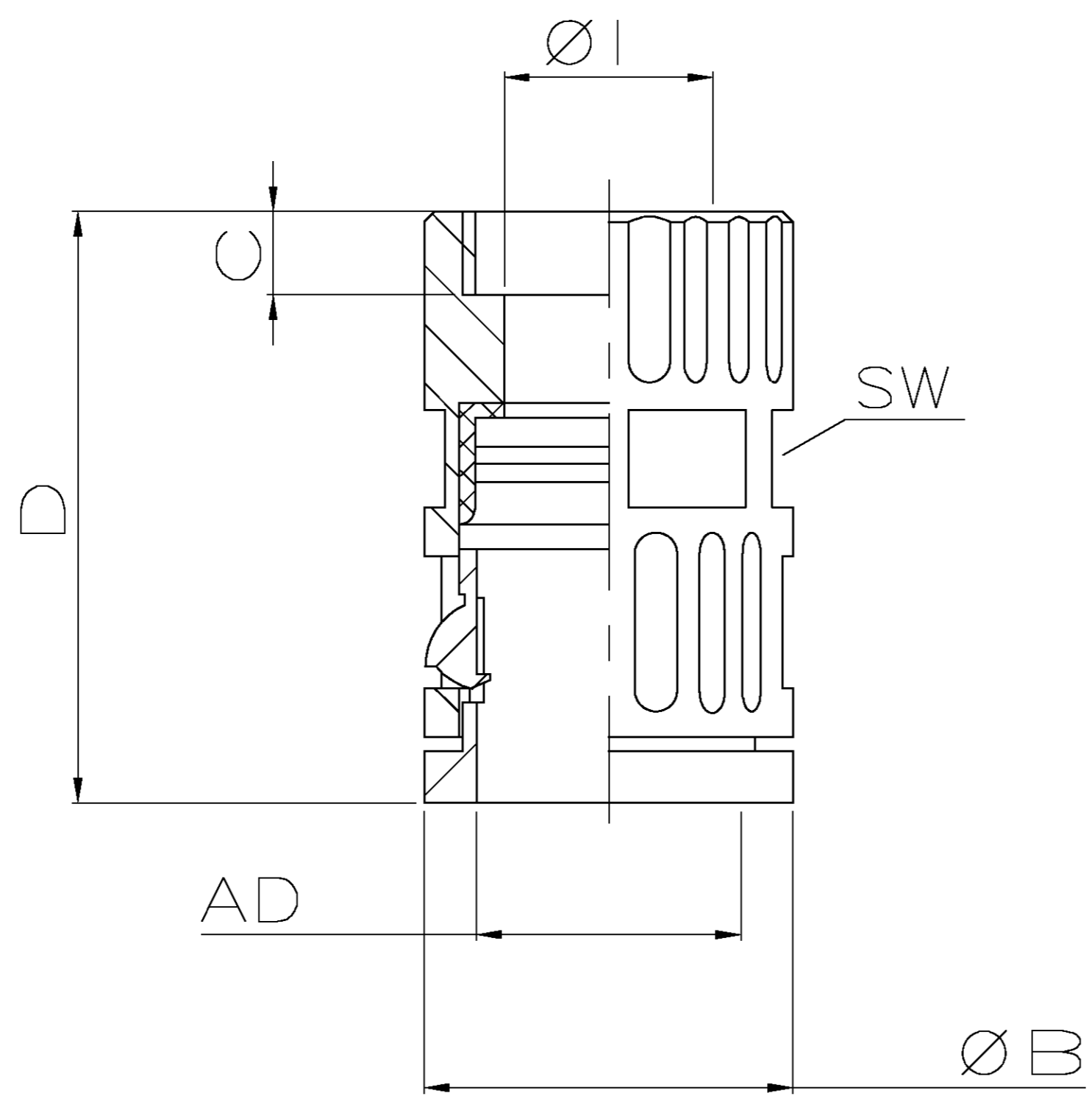


THIS DRAWING IS UNPUBLISHED. RELEASED FOR PUBLICATION
 © COPYRIGHT BY TYCO ELECTRONICS CORPORATION. ALL RIGHTS RESERVED.

LOC	DIST	REVISIONS					
FT	0	P	LTR	DESCRIPTION	DATE	DWN	APVD
		C		REVISED PER 0G3B-0513-04	6/10/04	SS	SH



- 1 Material: PA
- 2 Color: black
- 3 Unscaled
- 4 DIN 16901 -140

1.79	25	34	58	49	23.5	9.5	2"-18	3/4	969813-9
1.67	25	34	58	47	23.5	9.5	1 3/4"-18	3/4	969813-8
1.61	25	34	58	42	23.5	9.5	1 5/8"-18	3/4	969813-7
1.47	25	34	54	37	23.5	9.5	1 5/16"-18	3/4	969813-6
1.30	25	34	52.5	37	17	9.5	15/16"-20	3/4	4-969813-7
1.5	25	34	54	41	23.5	9.5	1 7/16"-18	3/4	3-969813-5
1.5	25	34	54	41	23.5	9.5	1 3/8"-18	3/4	2-969813-5
1.4	25	34	54	37	23.5	9.5	1"-20	3/4	1-969813-5
1.45	25	34	52.5	37	23.5	9.5	1 3/16"-18	3/4	969813-5
kg/100p	Pieces Stueck	SW	D	BØ	IØ	C		AD	
		mm	mm	mm	mm	mm	UNEF	mm	
Gewicht	einheit Packungs-	weite Schluessel-	laenge Gesamt-	Ø Aussen groesster	Ø Innen kleinster	laenge Gewinde-	Gewinde	groesse Nenn-	AMP #
Weight approx.	Unit Packaging	Width Hex	Lenght Total	Ø Outer Largest	Ø Inner Smallest	Thread Lenght of	Thread	Size Trade	

THIS DRAWING IS A CONTROLLED DOCUMENT.

DWN	19AUG97	Tyco Electronics Corporation Harrisburg, Pa 17105-3608			
CHK	19AUG97				
APVD	19AUG97				
PRODUCT SPEC					
NAME	STRAIGHT CONNECTION CORRUGATED TUBING				
APPLICATION SPEC					
WEIGHT		SIZE	CAGE CODE	DRAWING NO	RESTRICTED TO
		A2	00779	C=969813	-
CUSTOMER DRAWING		SCALE	NTS	SHEET	1 OF 1
				REV	C